



# Outdoor Tower Stove

Brand: Beegarden | Model: MK12



Heat Output  
(Nominal - Minimum)  
Pellet  
**12 kW**



Electric Power  
220-240V / 50Hz



Usage Times with Battery  
level 1 : 6 hours  
level 2 : 4.5 hours  
level 3 : 3 hours



kg - lt  
**10 - 17**

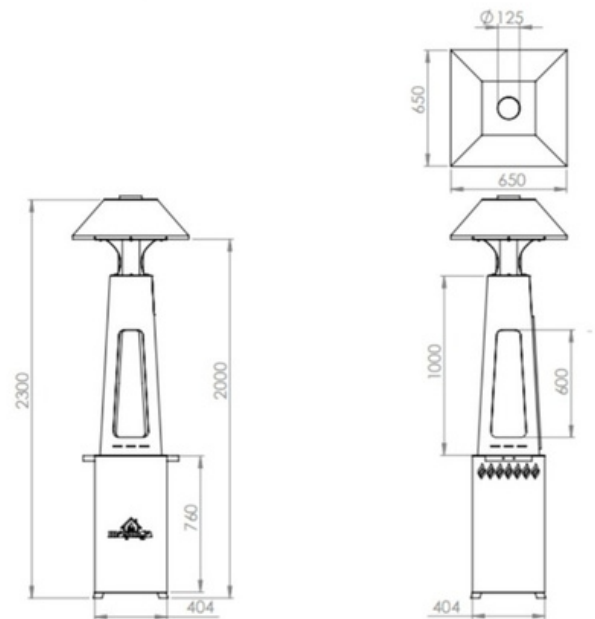


Product  
Weight  
**85**



Chimney  
Diameter  
**130mm**

It is an ideal solution for hotels, restaurants, cafes, winter gardens, workshops, outdoor promotion organizations, and winter festival areas. It adds value to spaces visually and aesthetically. Pellet fuel is environmentally friendly and highly efficient. It is easy to supply and 50% more economical compared to other energy sources. Electricity consumption is required for the fan. It provides extra safe use in case of power cuts thanks to its battery-powered power supply. Pellet fuel grains in the fuel tank are automatically poured into the combustion reactor depending on the burning speed. The first firing is manually ignited in a very easy way. All 4 sides are equipped with ceramic fireplace glass. While emitting heat, the flame can be seen from every angle, offering an aesthetic design. It is easy to clean. After ignition, the time to reach the desired temperature is short, making it a useful and practical fireplace. The stove is coated with high-temperature resistant, smokeless black German Senotherm paint.



Omtay Metal Product Design and Manufacturing – Atilla Aytürk  
Office Address: Gümüştepe Mh. 759. Sk. No: 9-1 Nilüfer / Bursa / Turkey  
Factory Address: Minareliçavuş Mh. Nilüfer Organized Industrial Zone N.115 Sk. No: 18 Nilüfer / Bursa / Turkey  
Phone: +90 532 426 31 51