



Glass Tube Missile Heater

Brand: Beegarden | Model: OMT301



Heat Output
(Nominal)
8.5 kW



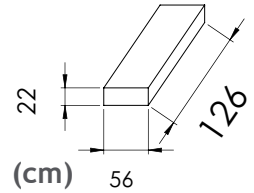
Pellet
kg - lt
5.5 - 9.3



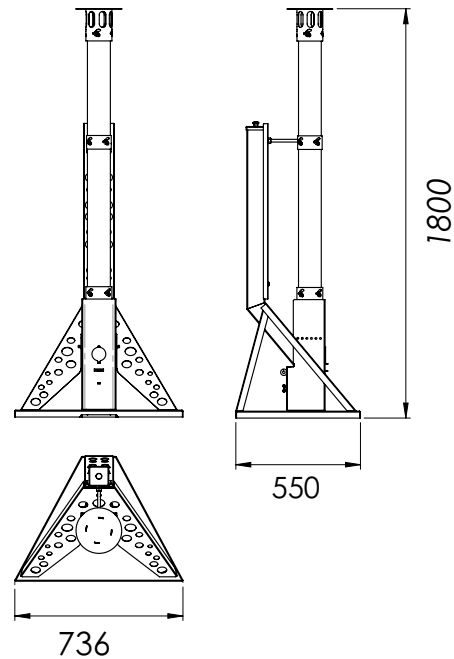
Product
Weight
28-32



Fireplace Tube Glass
Diameter Length
100mm 1200mm



This heater is an ideal solution for hotels, restaurants, cafes, winter gardens, workshops, outdoor promotion organizations, and winter festival areas. It adds value to spaces both visually and aesthetically. Pellet fuel is environmentally friendly and highly efficient; it is easy to supply and 50% more economical compared to other energy sources. Pellet fuel grains in the fuel tank are automatically fed into the combustion reactor based on the burning speed. The initial ignition is performed manually in a very simple way. The unit features a 100 mm diameter ceramic glass tube. While emitting heat, the flame is visible from every angle, offering an aesthetic design. It is easy to clean, reaches the desired temperature shortly after ignition, and serves as a highly practical fireplace. The heater is coated with high-temperature resistant, smokeless black German Senotherm paint.



Omtay Metal Product Design and Manufacturing – Atilla Aytürk
Office Address: Gümüştepe Mh. 759. Sk. No: 9-1 Nilüfer / Bursa / Turkey
Factory Address: Minareliçavuş Mh. Nilüfer Organized Industrial Zone N.115 Sk. No: 18 Nilüfer / Bursa / Turkey
Phone: +90 532 426 31 51



REVISIONS

ZONE	REV.	DESCRIPTION	DATE	APPR.
------	------	-------------	------	-------

A

B

C

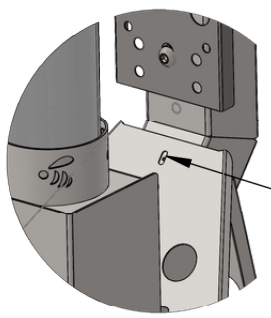
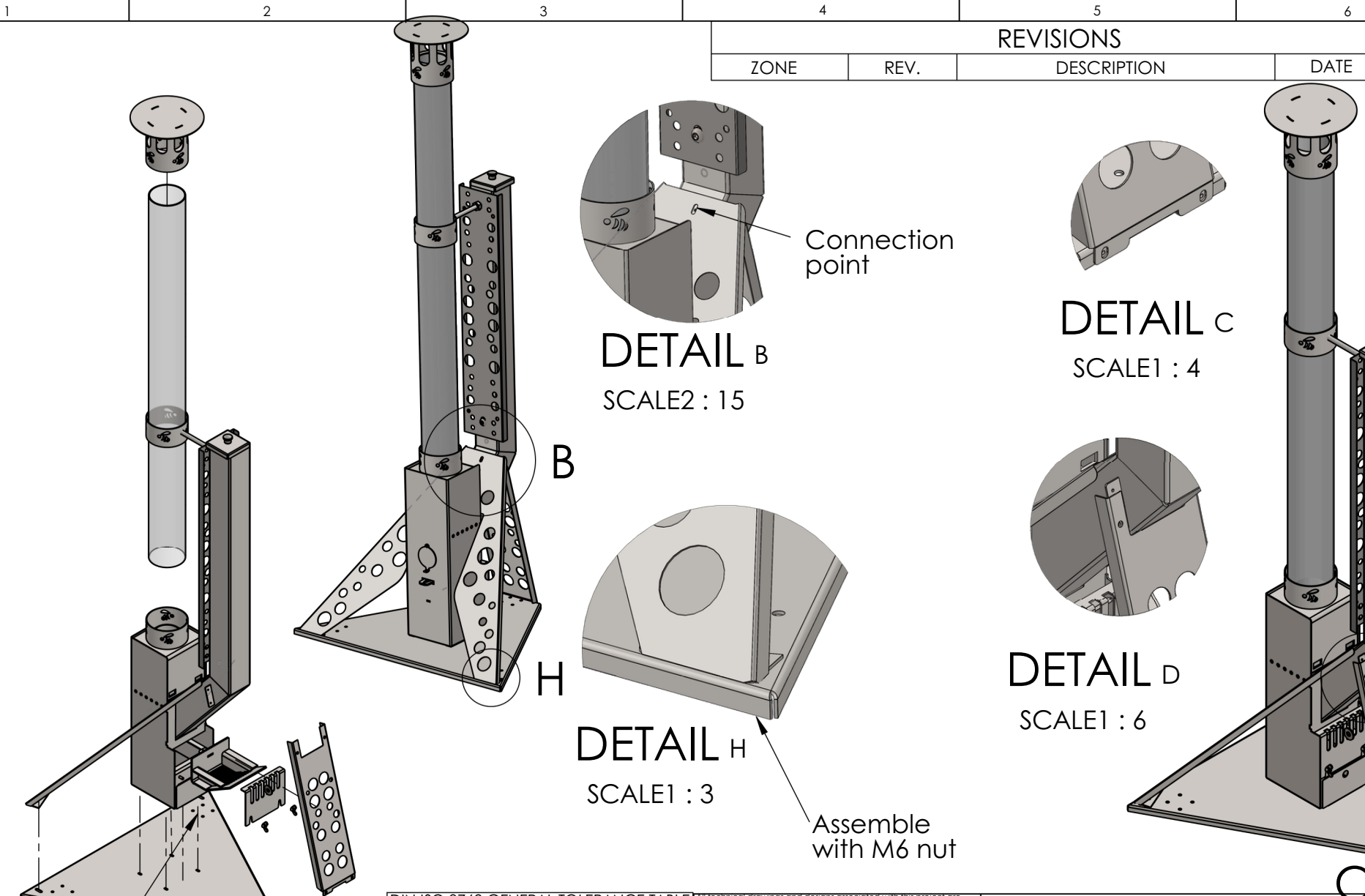
D

A

B

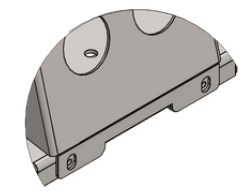
C

D

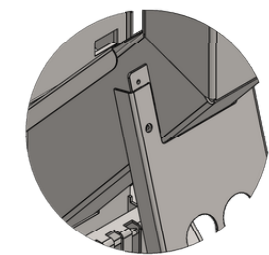


Connection point

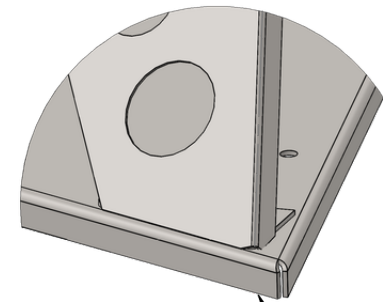
DETAIL B
SCALE2 : 15



DETAIL C
SCALE1 : 4



DETAIL D
SCALE1 : 6



DETAIL H
SCALE1 : 3

Assemble with M6 nut

Swivel caster connection point
Swivel caster connection point
Locking caster connection point

DIN ISO 2768 GENERAL TOLERANCE TABLE	
MEASUREMENT RANGE (mm)	LINEAR TOLERANCE CLASS MEDIUM
0,5 - 3	+0,1
3 - 6	+0,1
6 - 30	+0,2
30 - 120	+0,3
120 - 400	+0,5
400 - 1000	+0,8
1000 - 2000	+1,2
2000 - 4000	+2,0

All technical drawings and designs associated with this project are the property of OMTAYMETAL ATILLA AYTURK. They may not be reproduced, modified, or disclosed to third parties without prior written consent.



OMTAY METAL

Name: _____ Date: 23.09.2024
 Drawn by / Approved: _____
 Unless otherwise specified; for all dimensions, 23.09.2024
 Refer to DIN ISO 2768 General Tolerance Table.

Applicable Products:		Thickness: mm	Weight: g
Material:		Part Name: OMT301-00.000-R03	
Description:			
Project Name:		A4	
SCALE: 1:5	Mold No.:	Specification No: ---	SHEET 1 OF 1